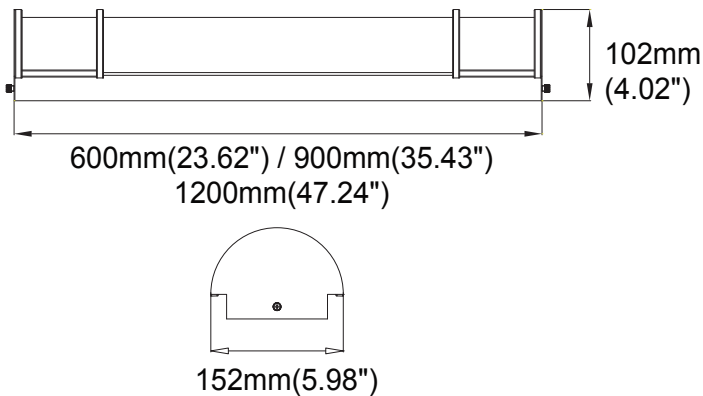
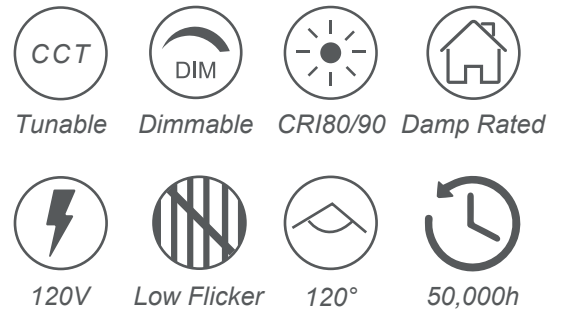




### Line Drawing



### Feature



### Specification

| Code    | Size | Power | CCT         | Lumen  | Certificate | Function   | PCS/CTN | CTN Size    | 40HQ/PCS |
|---------|------|-------|-------------|--------|-------------|------------|---------|-------------|----------|
| YG-VL-A | 24"  | 25W   | 2700K-5000K | 2000lm | ETL/cETL    | Single CCT | 6       | 69*38*37cm  | 4284     |
| YG-VL-A | 36"  | 30W   | 2700K-5000K | 2400lm | ETL/cETL    | 3-CCT      | 6       | 99*38*37cm  | 3024     |
| YG-VL-A | 48"  | 35W   | 2700K-5000K | 2800lm | ETL/cETL    | 5-CCT      | 6       | 130*38*37cm | 2268     |